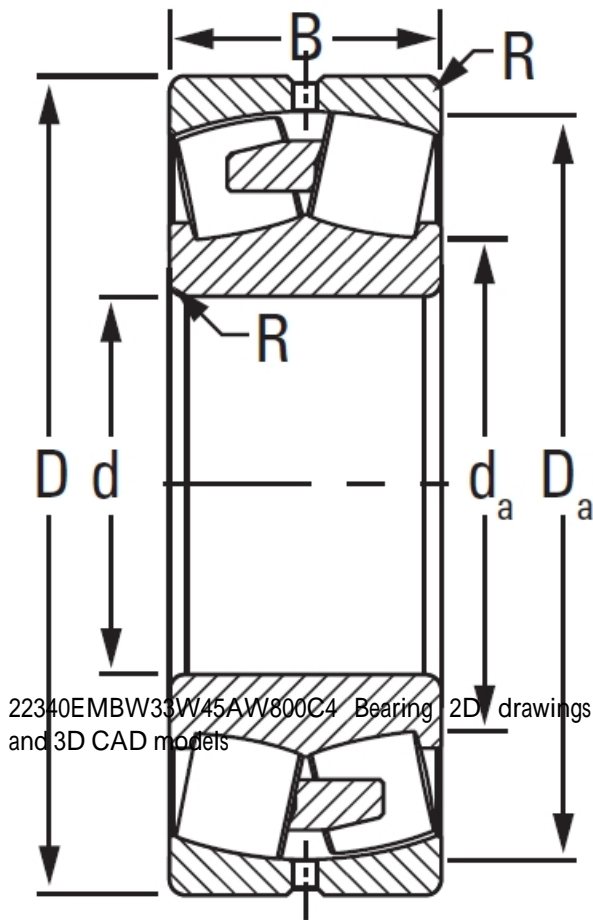




BEARING MFG. CORP.

TIMKEN 22340EMBW33W45AW800C4 Bearing

Bearing No. 22340EMBW33W45AW800C4



22340EMBW33W45AW800C4 Bearing 2D drawings and 3D CAD models

| | |
|---|-----------------------|
| Design Unit | METRIC |
| Bearing Weight | 93 Kg |
| Cage Type | EMB |
| UPC Code | 087796191327 |
| Cage Material | Brass |
| Superseded Part | 22340YMBW33W45AW800C4 |
| d | 200 mm |
| D | 419.993 mm |
| B - Inner Ring Width | 138 mm |
| B - Outer Ring Width | 138.000 mm |
| R - Inner Ring To Clear Radius ¹ | 4.000 mm |
| r - Outer Ring To Clear Radius ² | 4.000 mm |
| da - Inner Ring Backing Diameter | 246.000 mm |
| Da - Outer Ring Backing Diameter | 369.000 mm |
| C0 - Static Radial Rating | 2930000 N |
| C1(2) - Dynamic Radial Rating (Two-Rows) | 2470000 N |
| e - ISO Factor ³ | 0.33 |
| Y0 - ISO Factor ⁴ | 2.02 |
| Y1 - ISO Factor ⁵ | 3.01 |
| Y2 - ISO Factor ⁶ | 1.98 |
| Reference Thermal Speed Rating (Grease) | 1000 |



BEARING MFG.CORP.

| | |
|---|--------|
| Reference Thermal Speed Rating (Oil) ⁷ | 1200 |
| Cg - Geometry Factor ⁸ | 0.1034 |